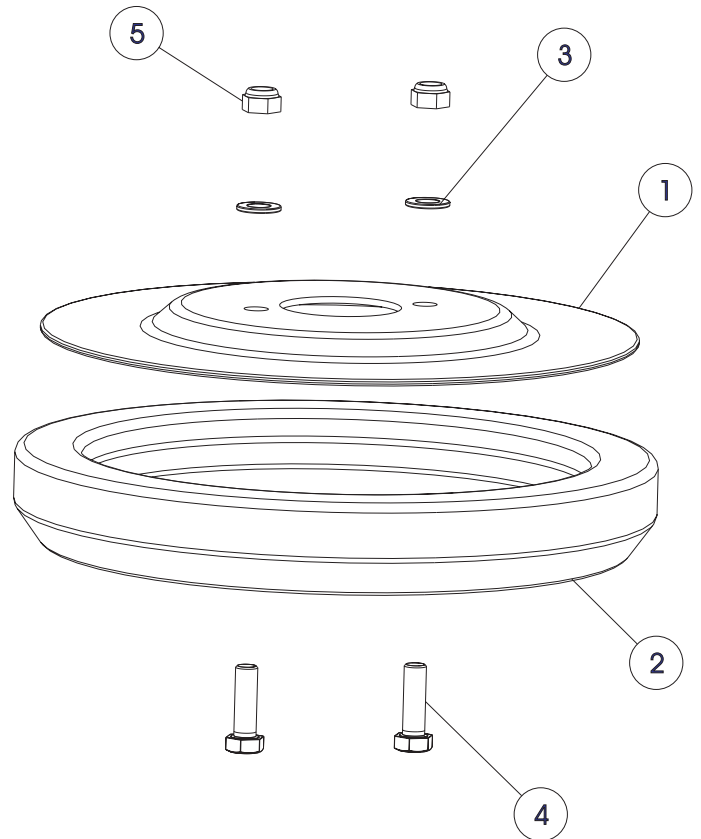


No	Suction foot 85530	Amount	Art. No.
1	Rubber gasket V-shape	1	85531
2	Metal plate	1	85532
3	Plastic washer M5, Ø 10mm, blue	2	*
4	Screw M5X16	2	*
5	Nut M5	2	*



## Suction foot 85530



**TAWI**

Box 10205 434 23 KUNGSBACKA Sweden  
 Tel +46 300 185 00  
 info@tawi.se  
 www.TAWI.com