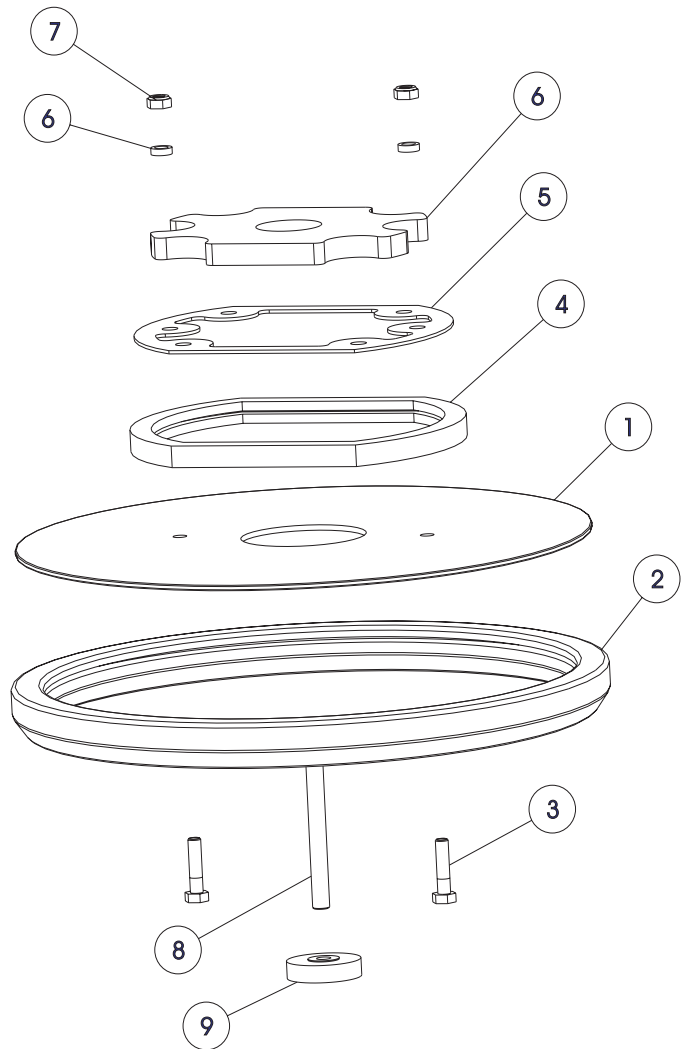
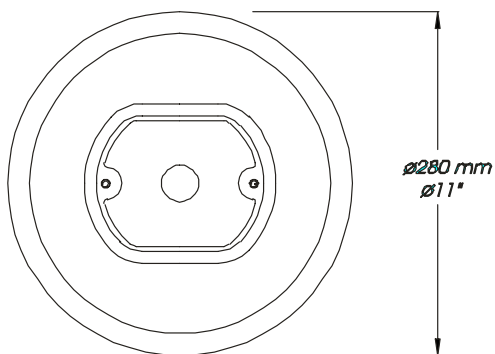
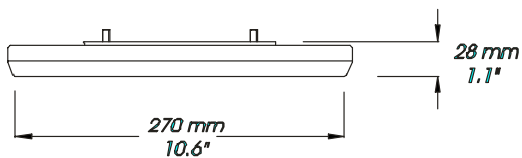
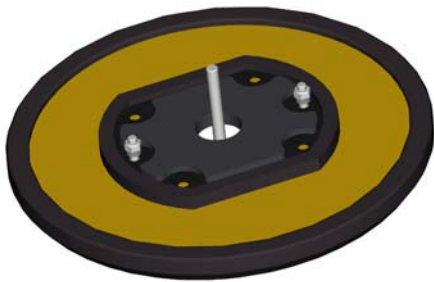


No	Suction foot 10200	Amount	Art. No.
1	Metal part Ø 270mm	1	10206
2	Rubber gasket black V-form	1	10201
3	Screw M6X25	2	*
4	Rubber gasket	1	10092
5	Frame	1	20093
6	Noise & dust filter	1	20103
7	Pre-assembly plate	2	*
8	Nut M6	2	*
9	Pin 80mm M8	1	*
10	Rubber pad with nut - Ø 35mm	1	10146

Suction foot 10200



TAWI

Box 10205 434 23 KUNGSBACKA Sweden
Tel +46 300 185 00

info@tawi.se

www.TAWI.com